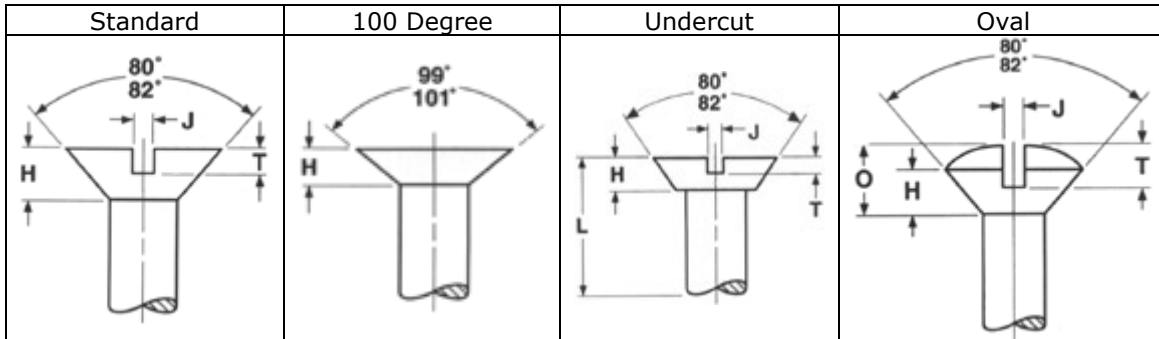


Flat Head Machine Screws



Phillips Flat
 Phillips Flat 100 degree
 Phillips Flat Undercut
 Phillips Oval

Zinc = MPF020-----Z1
 Zinc = MPF1020-----Z1
 Zinc = MPFU020-----Z1
 Zinc = MPO020-----Z1

Black Oxide = MPF020-----BO
 Black Oxide = MPF1020-----BO
 Black Oxide = MPFU020-----BO
 Black Oxide = MPO020-----BO

Nominal Size	A		H		100 Degree		Undercut		Oval		Phillips Driver Size	
	Head Diameter		Head Height		Head Height		These Lengths or Shorter are Undercut	Head Height		Protrusion Above Gaging Diameter		
	Max	Min	Max	Min	Max	Min		Max	Min	Max		Min
0	.112	.096	.035	.026	.026	.019	1/8	.025	.018	.047	.031	0
1	.137	.120	.043	.033			1/8	.031	.023	.053	.035	0
2	.162	.144	.051	.040	.037	.029	1/8	.036	.028	.058	.039	1
3	.187	.167	.059	.047						.064	.044	1
4	.212	.191	.067	.055	.049	.039	3/16	.047	.038	.069	.048	1
5	.237	.215	.075	.062			3/16	.053	.043	.075	.053	2
6	.262	.238	.083	.069	.060	.049	3/16	.059	.048	.080	.057	2
8	.312	.285	.100	.084	.072	.060	1/4	.070	.058	.091	.066	2
10	.362	.333	.116	.098	.083	.070	5/16	.081	.068	.102	.075	2
12	.412	.380	.132	.112			3/8	.092	.078	.113	.084	3
1/4	.477	.442	.153	.131	.110	.094	7/16	.107	.092	.129	.095	3
5/16	.597	.556	.191	.165			1/2	.134	.116	.155	.117	4
3/8	.717	.670	.230	.200			9/16	.161	.140	.182	.139	4
1/2	.815	.765	.223	.186			3/4	.156	.130	.212	.163	4

Dimensional specifications per ANSI B18.6.3